

# PRODUCT DATA SHEET - BOUNCEPAD MOBI GO

**bouncepad**<sup>®</sup>

## Compatible Devices:

iPad Air 2 (A1566 or A1567)  
iPad Pro 9.7" (A1673, A1674 or A1675)  
iPad 5th Generation (A1822 or A1823)  
iPad 6th Generation (A1893)

## Mounting:

Freestanding surface mount only

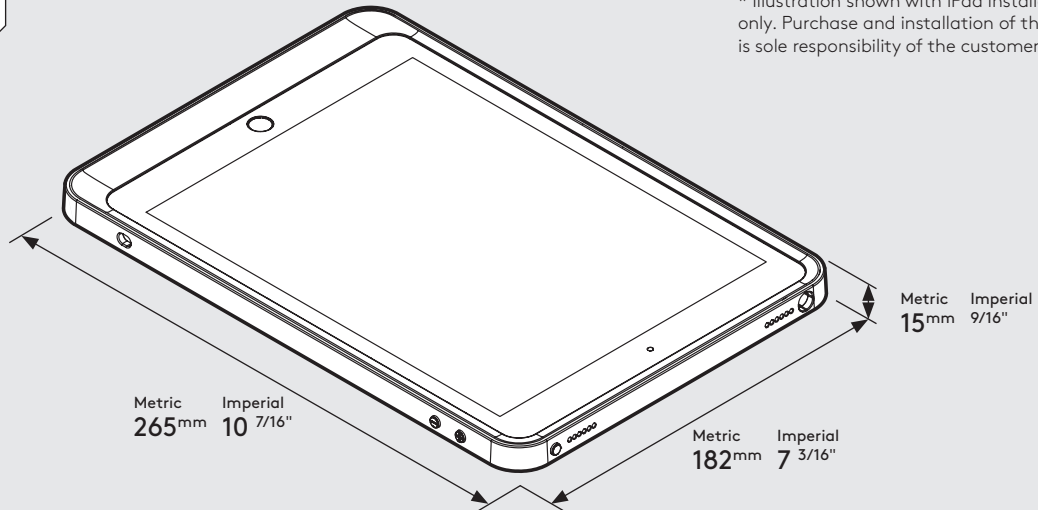
## Packaged weight:

2.3kg

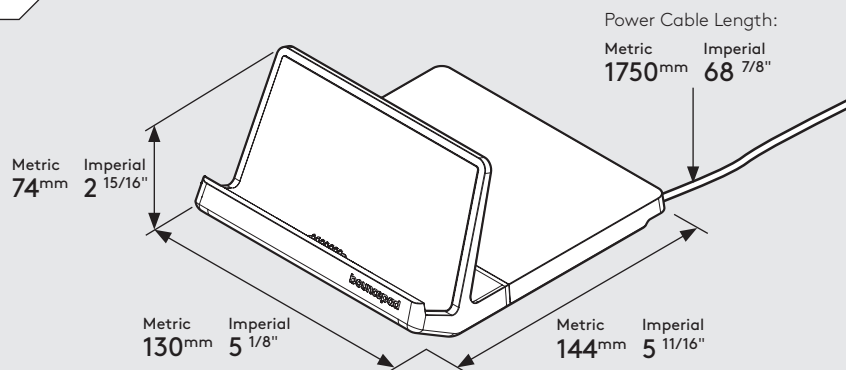
## Colour:

White Only

### Case Dimensions



### Dock Dimensions



### Docked Dimensions

