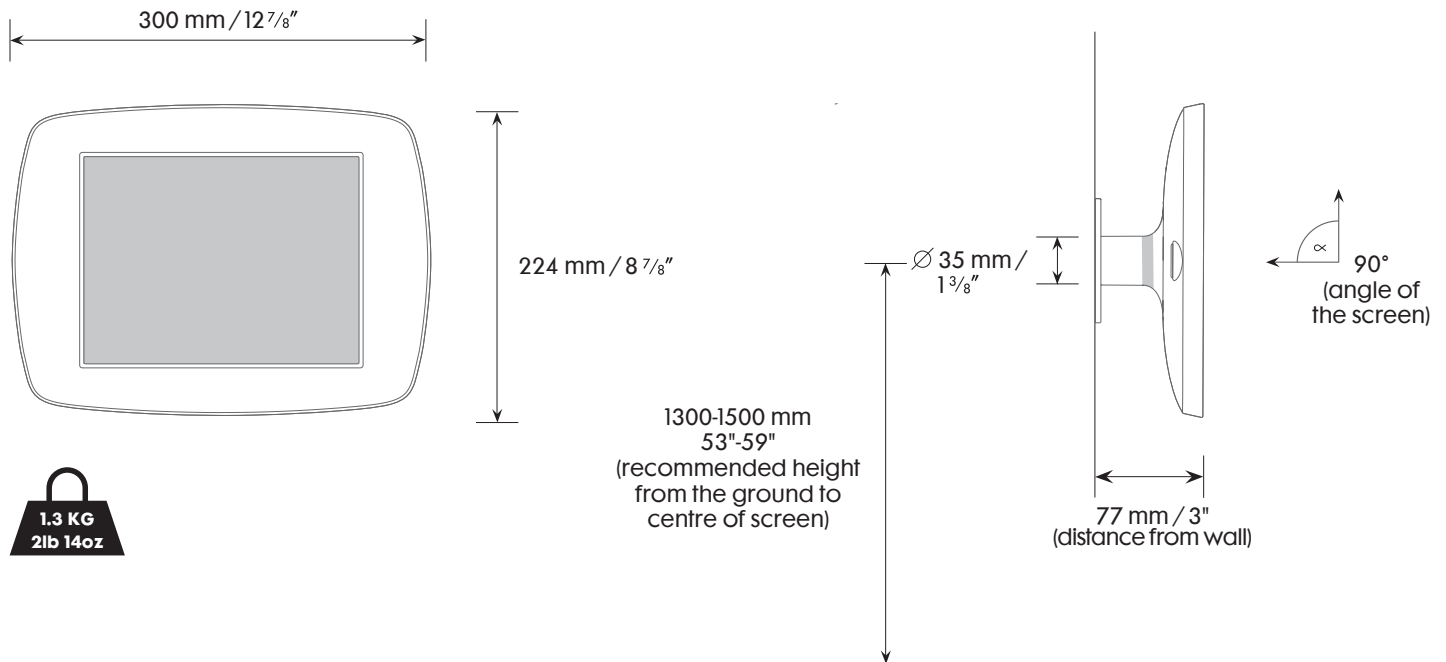
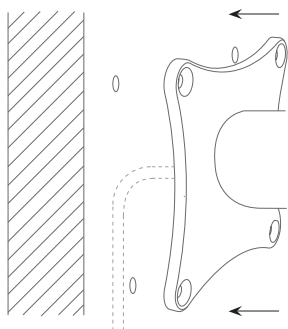


Data sheet : Bouncepad Vesa

The Bouncepad VESA fixes squarely on vertical surfaces and has a VESA compatible mounting system. You can attach the Bouncepad VESA to a range of third party articulating arms to suit your needs.

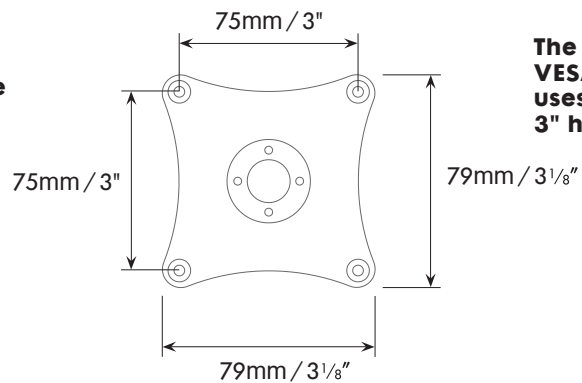


Mounting Options



Mount onto wall surface

VESA Compatibility



The Bouncepad VESA mount uses the 75mm / 3" hole pattern.

Materials

Tablet case	PC/ABS
Faceplate	Stainless Steel (powdercoated)
Mounting arm	Steel

Configuration Options

Colour	White / Black / Custom
Feature access	Covered home button / Covered front camera Covered home button / Exposed front camera Exposed home button / Covered front camera Exposed home button / Exposed front camera
Tablet models	iPad 2 / iPad 3 / iPad with Retina Display / iPad Air
Cable	Not provided