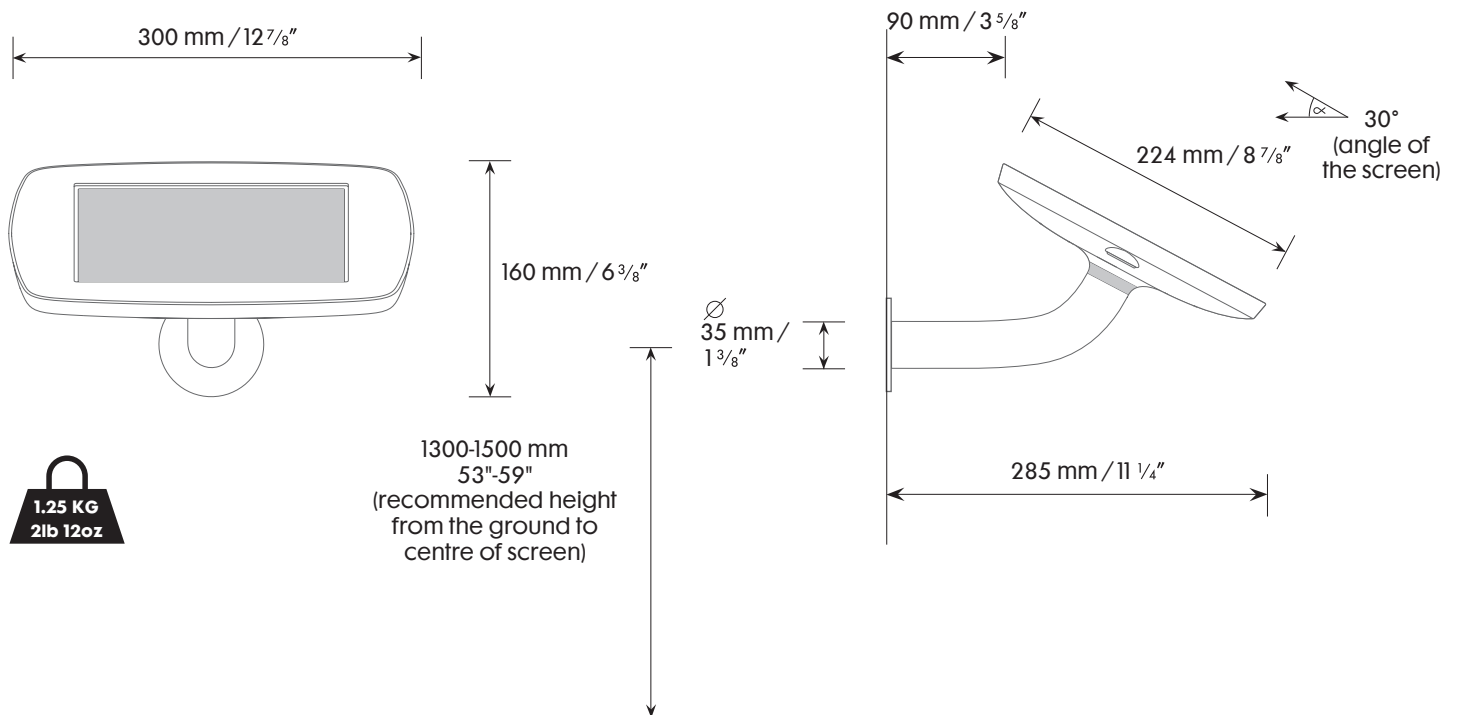
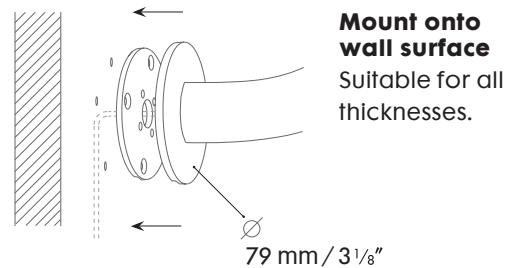
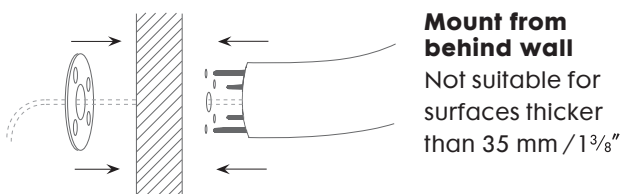


Data sheet : Bouncepad Branch

Branching up towards the user at a 30° angle, the Bouncepad Branch invites one-to-one interaction with your content, especially when mounted between waist and shoulder height.



Mounting Options



Materials

Tablet case	PC/ABS
Faceplate	Stainless Steel (Powdercoated)
Mounting arm	Steel
Mounting plate	Aluminium

Configuration Options

Colour	White / Black / Custom
Feature access	Covered home button / Covered front camera Covered home button / Exposed front camera Exposed home button / Covered front camera Exposed home button / Exposed front camera
Tablet models	iPad 2 / iPad 3 / iPad with Retina Display / iPad Air
Cable	Not provided