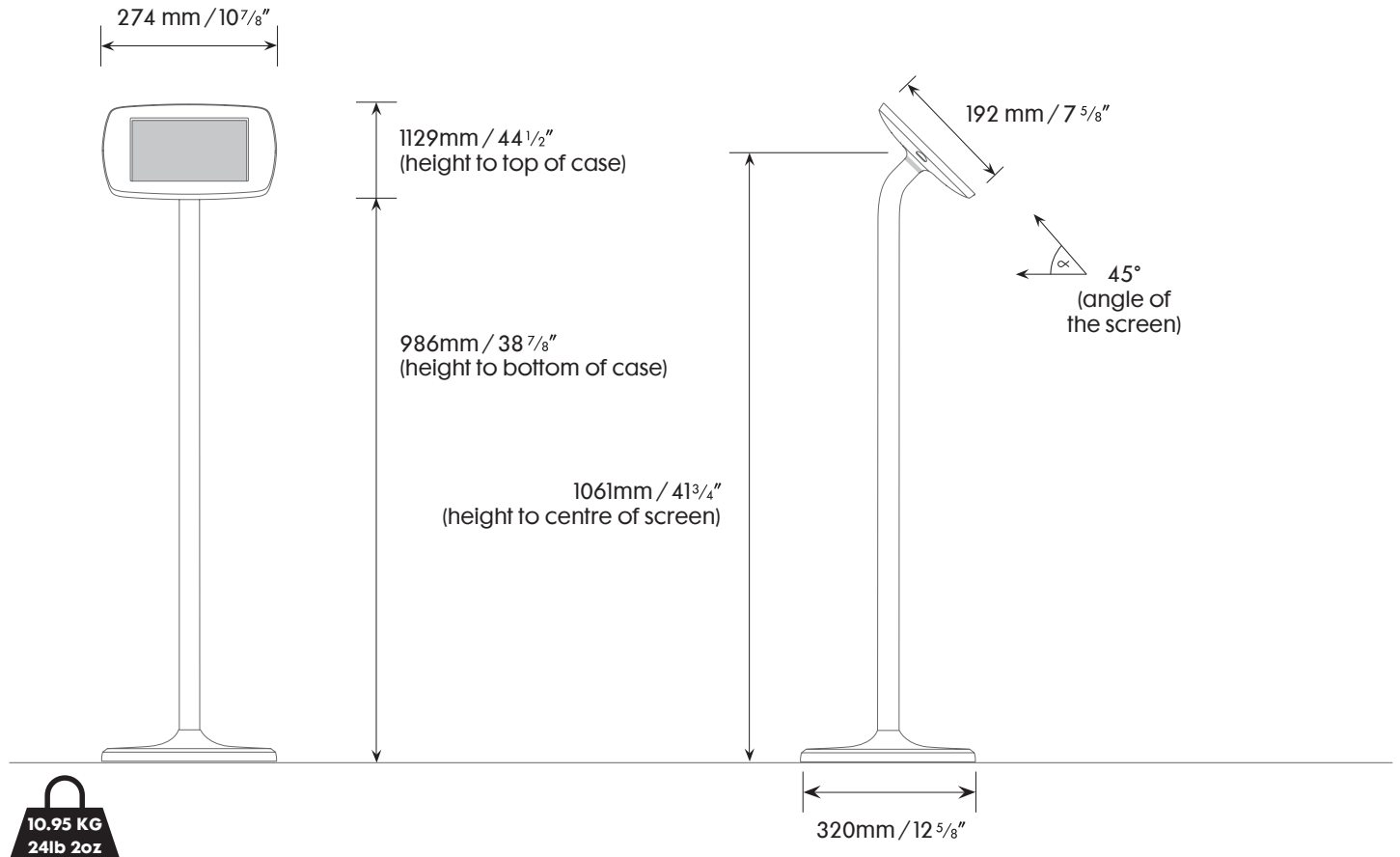
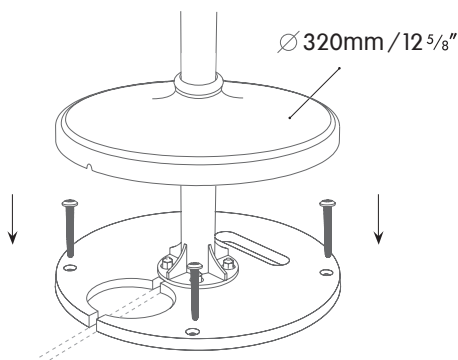


## Data sheet : Bouncepad Floorstanding

The Bouncepad Floorstanding is the ultimate interactive kiosk solution. Rising elegantly from the floor, this is perfect for showrooms, exhibitions spaces or lobby areas.



### Mounting Base



#### Secure base to the floor

Use screws suitable to your floor surface to secure the base to the floor. Holes are M6 clearance.

### Materials

<b>Tablet case</b>	PC/ABS
<b>Faceplate</b>	Stainless Steel (powdercoated)
<b>Pole</b>	Steel
<b>Base</b>	Steel
<b>Base cover</b>	Steel

### Configuration Options

<b>Colour</b>	White / Black / Custom
<b>Feature access</b>	Exposed home button & Exposed front camera / Covered home button & Covered front camera
<b>Tablet models</b>	iPad mini / Venue Pro 8 / Galaxy Tab 3 8.0 / Galaxy Note 8.0
<b>Cable</b>	iPad mini - 2m Lightning cable provided Venue Pro 8 / Galaxy Tab 3 8.0 / Galaxy Note 8.0 - 2m Micro USB cable provided