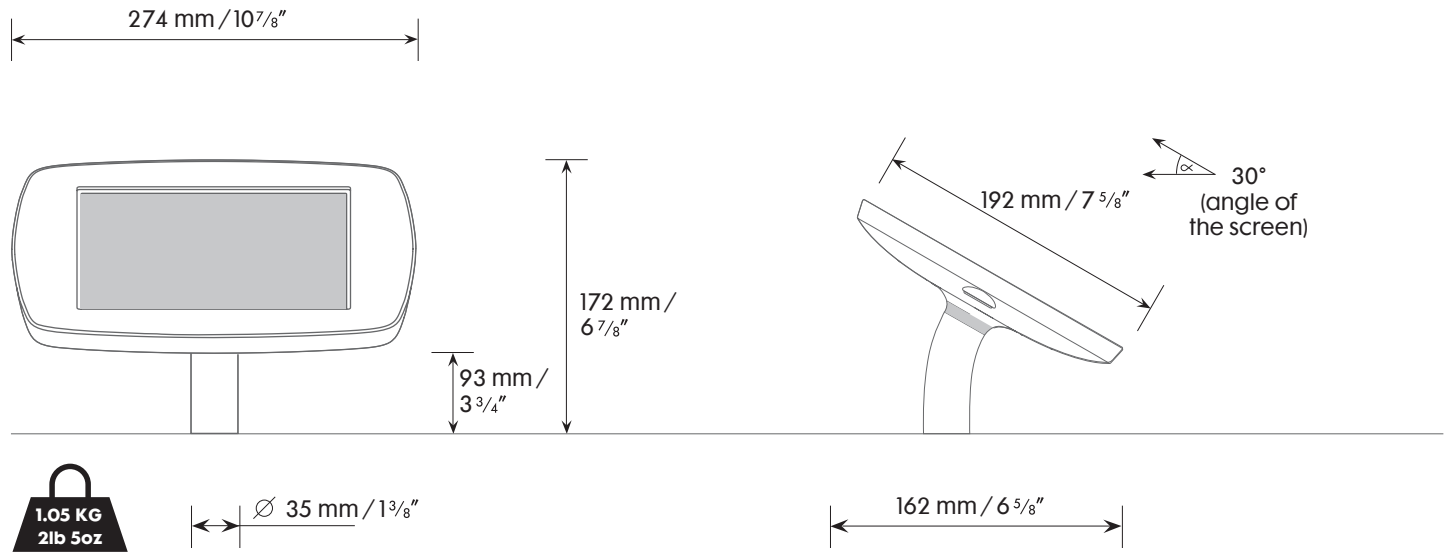
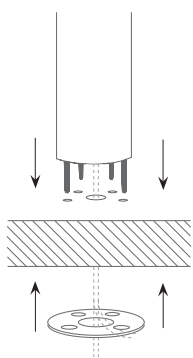


## Data sheet : Bouncepad Desk

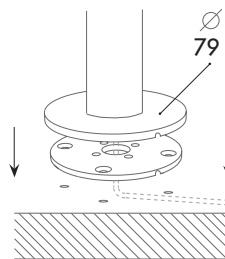
The Bouncepad Desk is perfect for point-of-sale displays and counter tops. The screen is raised a short distance off the surface at an angle that invites customers to interact with content.



## Mounting Options



**Mount from below surface**  
Not suitable for surfaces thicker than 35 mm / 1 3/8"



**Mount from above surface**  
Suitable for all thicknesses.

## Materials

<b>Tablet case</b>	PC/ABS
<b>Faceplate</b>	Stainless Steel (powdercoated)
<b>Mounting arm</b>	Steel
<b>Mounting plate</b>	Aluminium

## Configuration Options

<b>Colour</b>	White/Black/Custom
<b>Feature access</b>	Exposed home button & Exposed front camera / Covered home button & Covered front camera
<b>Tablet models</b>	iPad mini / Venue Pro 8 / Galaxy Tab 3 8.0 / Galaxy Note 8.0
<b>Cable</b>	Not provided