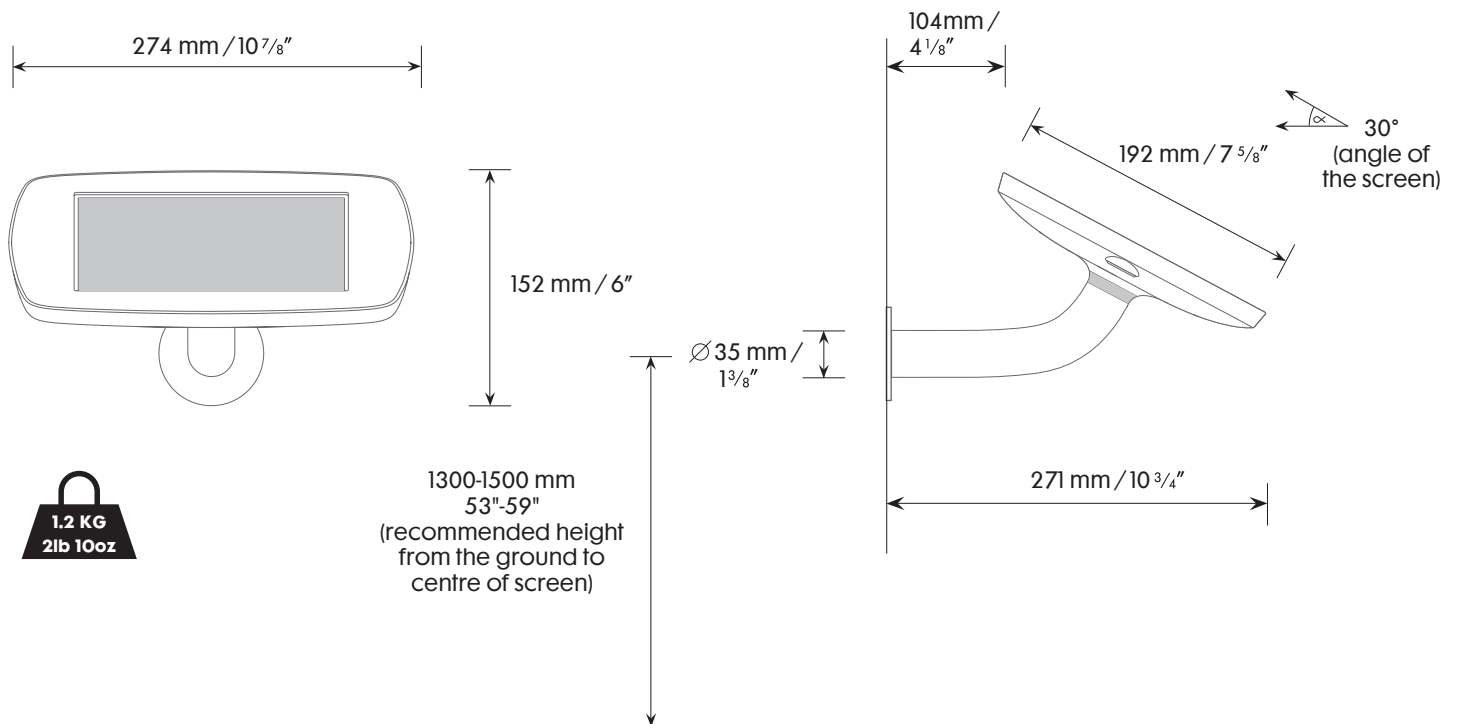
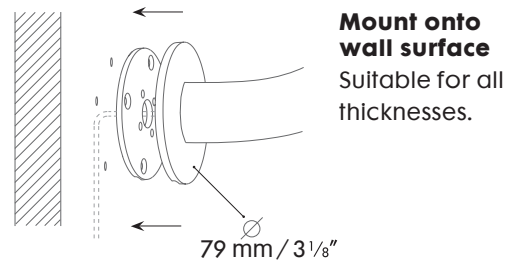
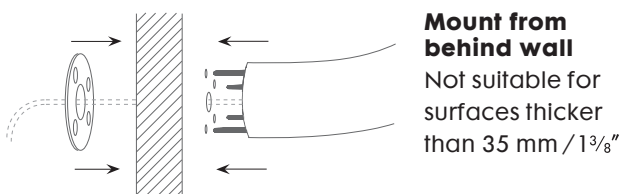


Data sheet : Bouncepad Branch

Branching up towards the user at a 30° angle, the Bouncepad Branch invites one-to-one interaction with your content, especially when mounted between waist and shoulder height.



Mounting Options



Materials

Tablet case	PC/ABS
Faceplate	Stainless Steel (powdercoated)
Mounting arm	Steel
Mounting plate	Aluminium

Configuration Options

Colour	White / Black / Custom
Feature access	Exposed home button & Exposed front camera / Covered home button & Covered front camera
Tablet models	iPad mini / Venue Pro 8 / Galaxy Tab 3 8.0 / Galaxy Note 8.0
Cable	Not provided