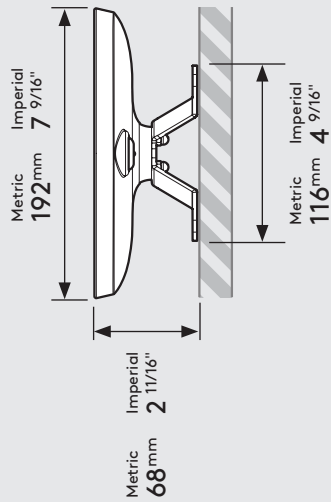
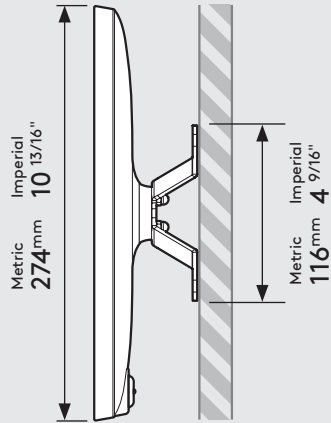


PRODUCT DATA SHEET - BOUNCEPAD VESA

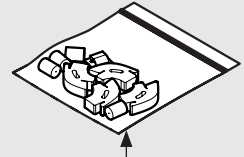
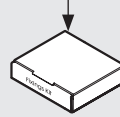
bouncepadTM

Case:	Arm:	Mounting:	Packaged weight:	Colour:
Mini	Vesa	Not Applicable	1.63kg	White Black



Parts in the Box

Fixings Kit



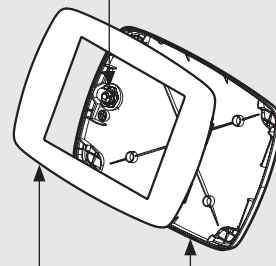
Tablet Set-up Kit

Case Lock

Brass, Stainless Steel

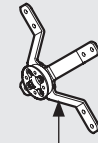
Faceplate

Powder coated
Stainless Steel



Case

PC/ABS Plastic



Vesa Mount

Powder coated Steel,
Aluminium