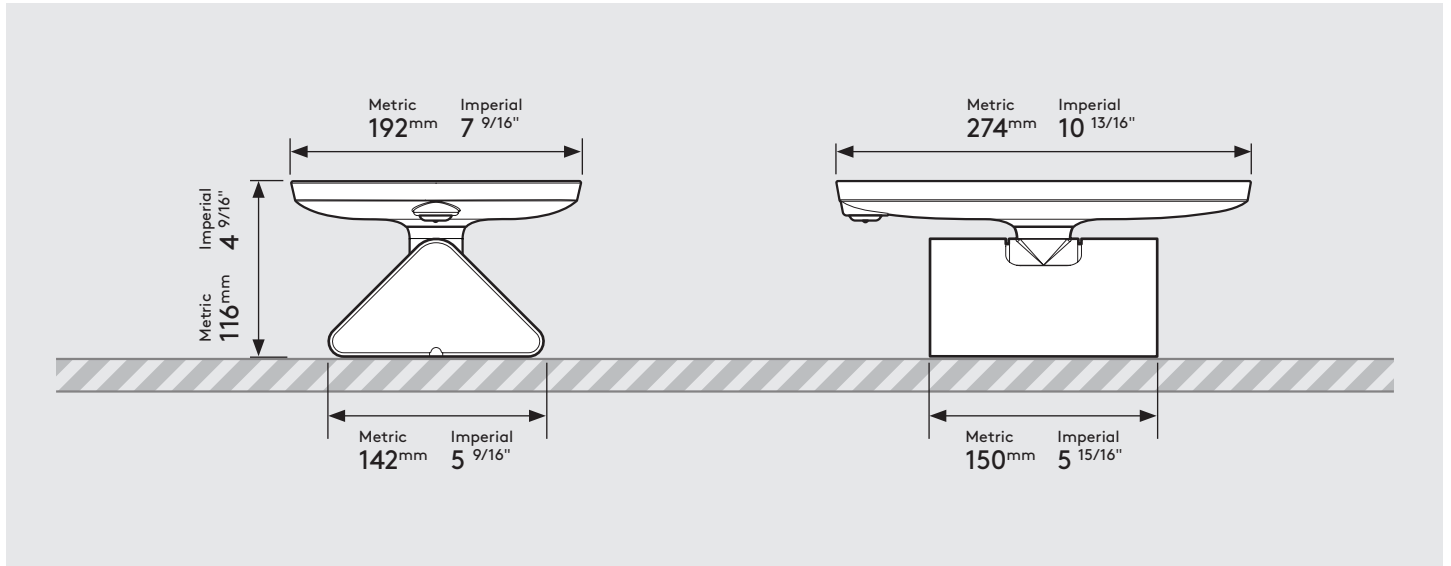


# PRODUCT DATA SHEET - BOUNCEPAD FLIP

**bouncepad**™

<b>Case:</b>	<b>Arm:</b>	<b>Mounting:</b>	<b>Packaged weight:</b>	<b>Colour:</b>
Mini	Flip	Not Applicable	2.86kg	White Black *Custom colour upon request



## Parts in the Box

